

NUDELL ARCHITECTS
 31890 W. Twelve Mile Road
 Farmington Hills, Michigan 48334
 1 248 324 8800 1 248 324 5550

OFFICES IN:
 Dallas Texas 972 387 5000
 Orlando Florida 407 740 8022
 Costa Mesa, California 714 979 8100

NOTICE
 THE ARCHITECTURAL AND/OR ENGINEERING WORK SHOWN ON THESE DRAWINGS IS THE PROPERTY OF NUDELL ARCHITECTS AND IS NOT TO BE REPRODUCED OR TRANSMITTED IN ANY FORM OR BY ANY MEANS, ELECTRONIC OR MECHANICAL, INCLUDING PHOTOCOPYING, RECORDING, OR BY ANY INFORMATION STORAGE AND RETRIEVAL SYSTEM, WITHOUT THE WRITTEN PERMISSION OF NUDELL ARCHITECTS.

AE STRUCTURES
 PROFESSIONAL ENGINEERING CONSULTANTS
 11250 E. 14th Avenue
 Aurora, Colorado 80012
 303 440 8800
 www.aestructures.com

project title
INFINITI OF ANN ARBOR
 SIOO TOWNSHIP, MICHIGAN

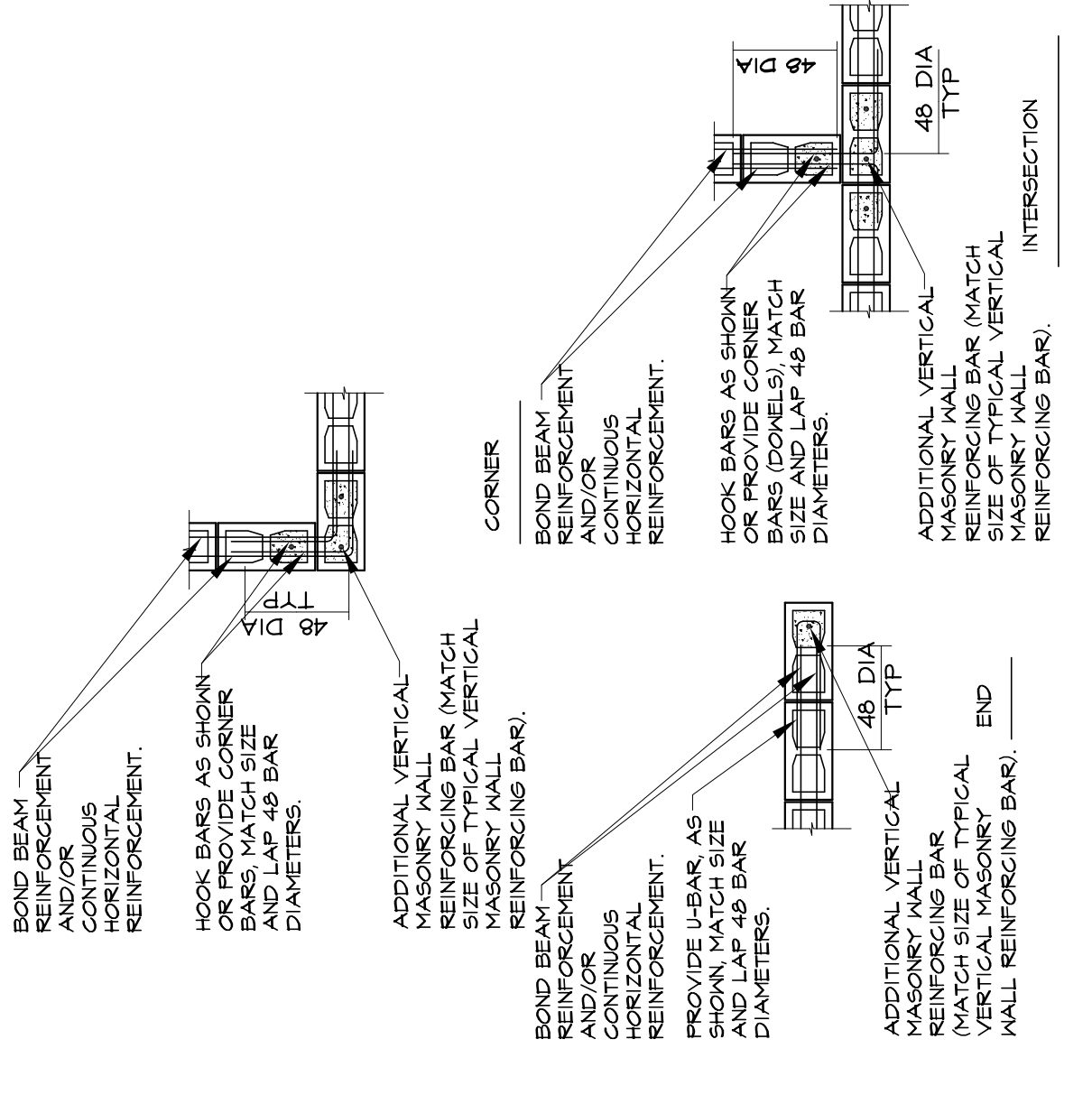
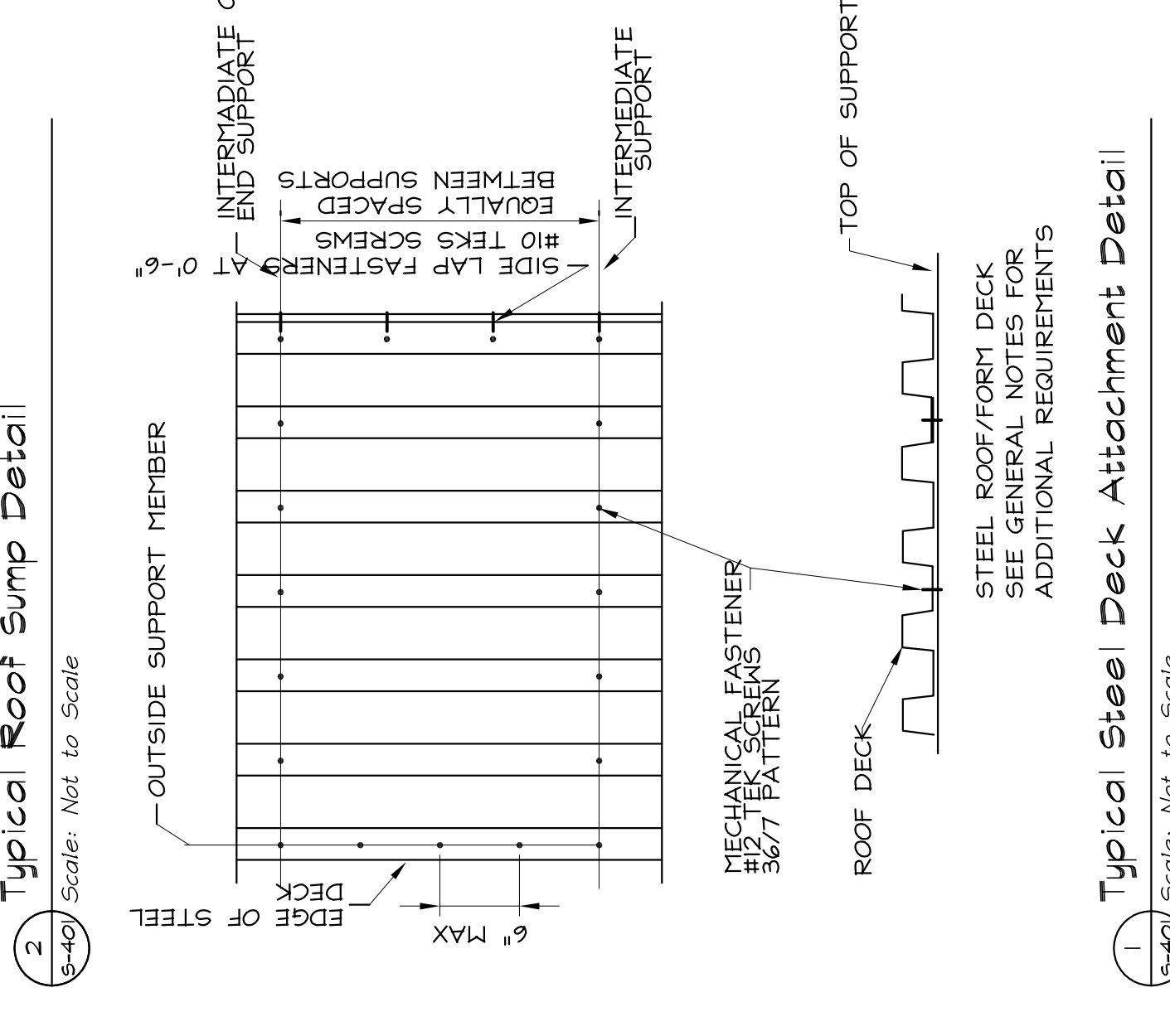
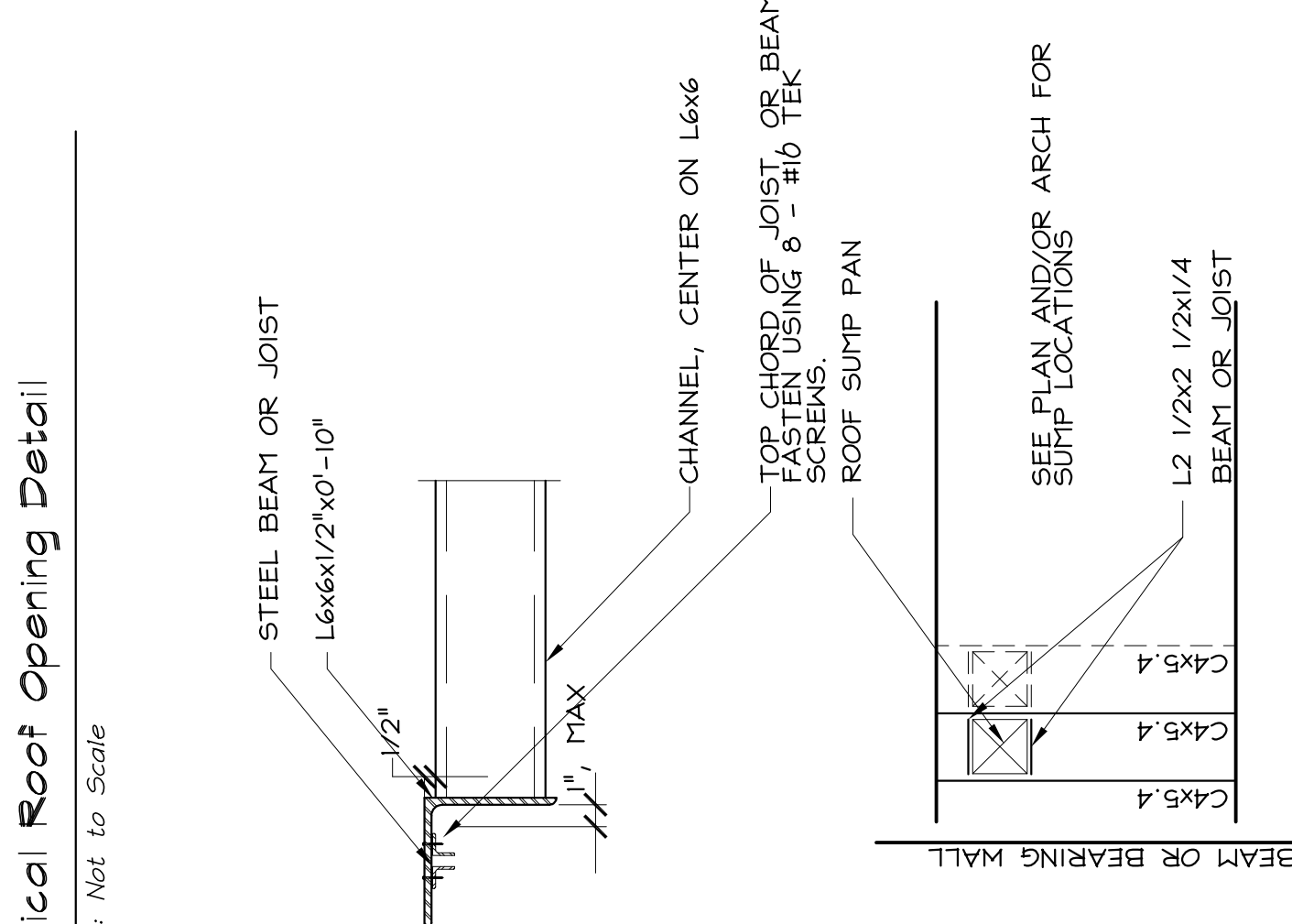
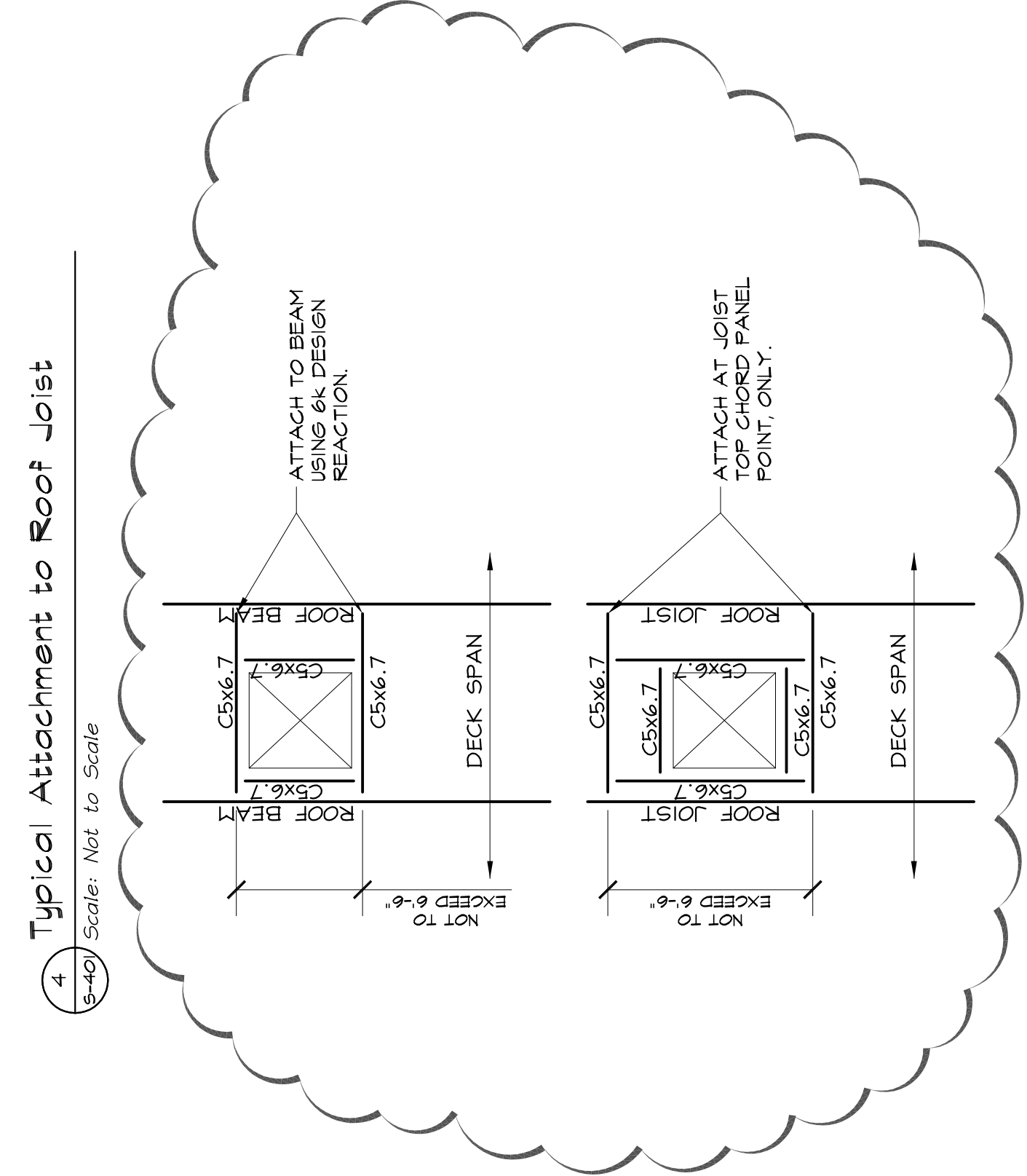
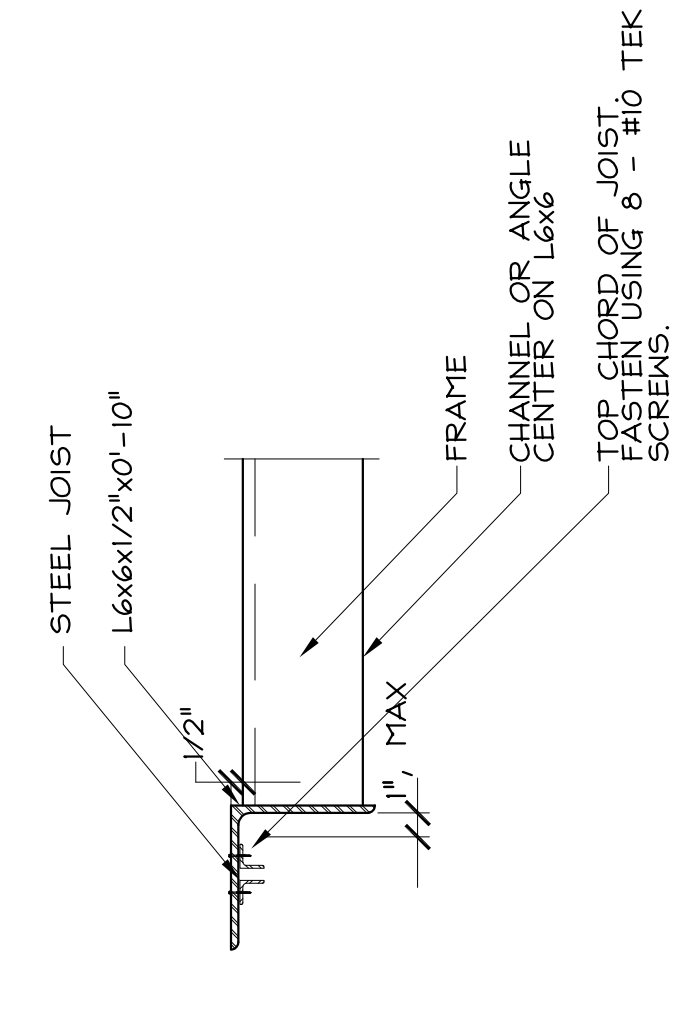
sheet title
SECTIONS AND DETAILS

project number
2005-253

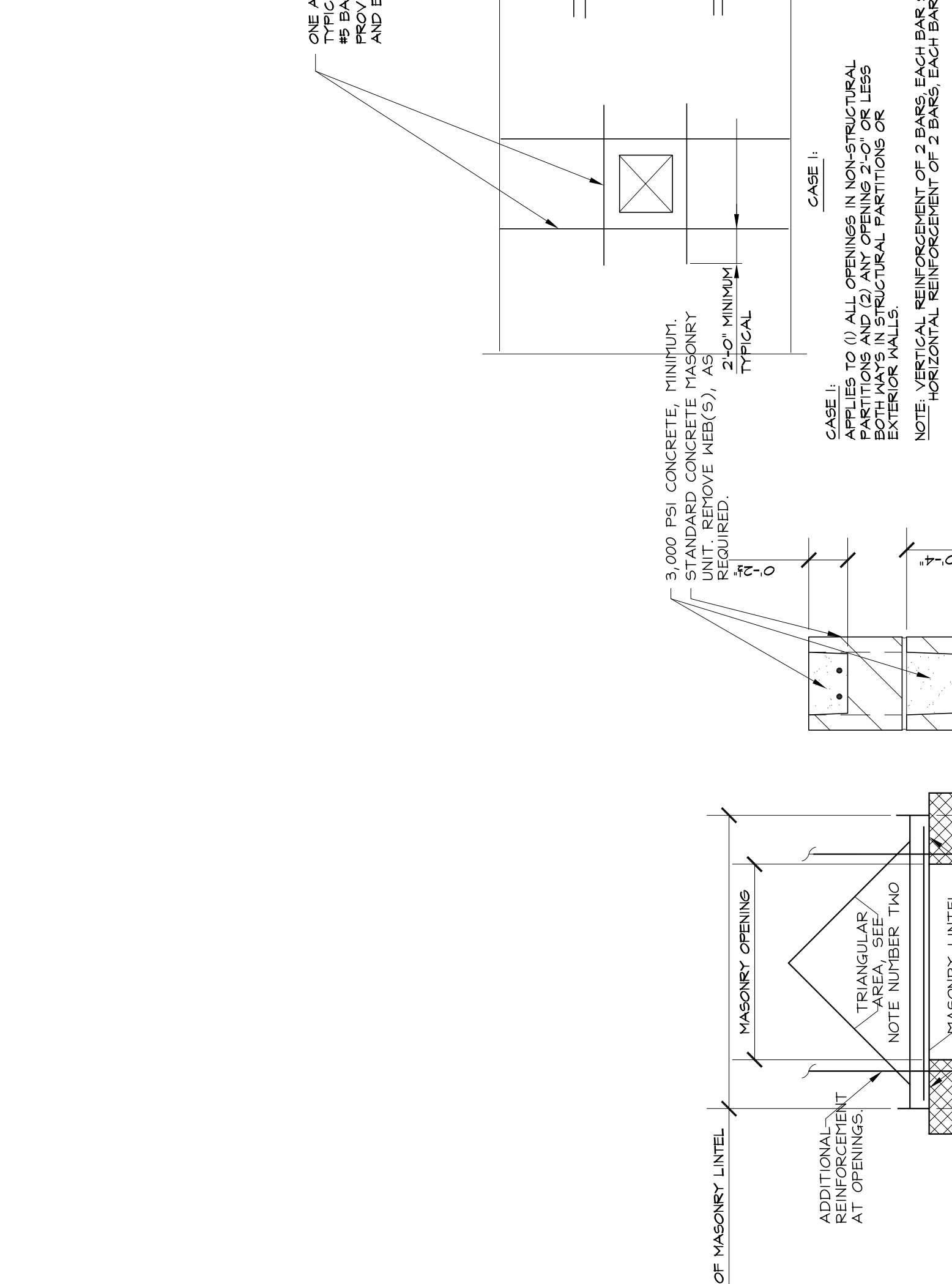
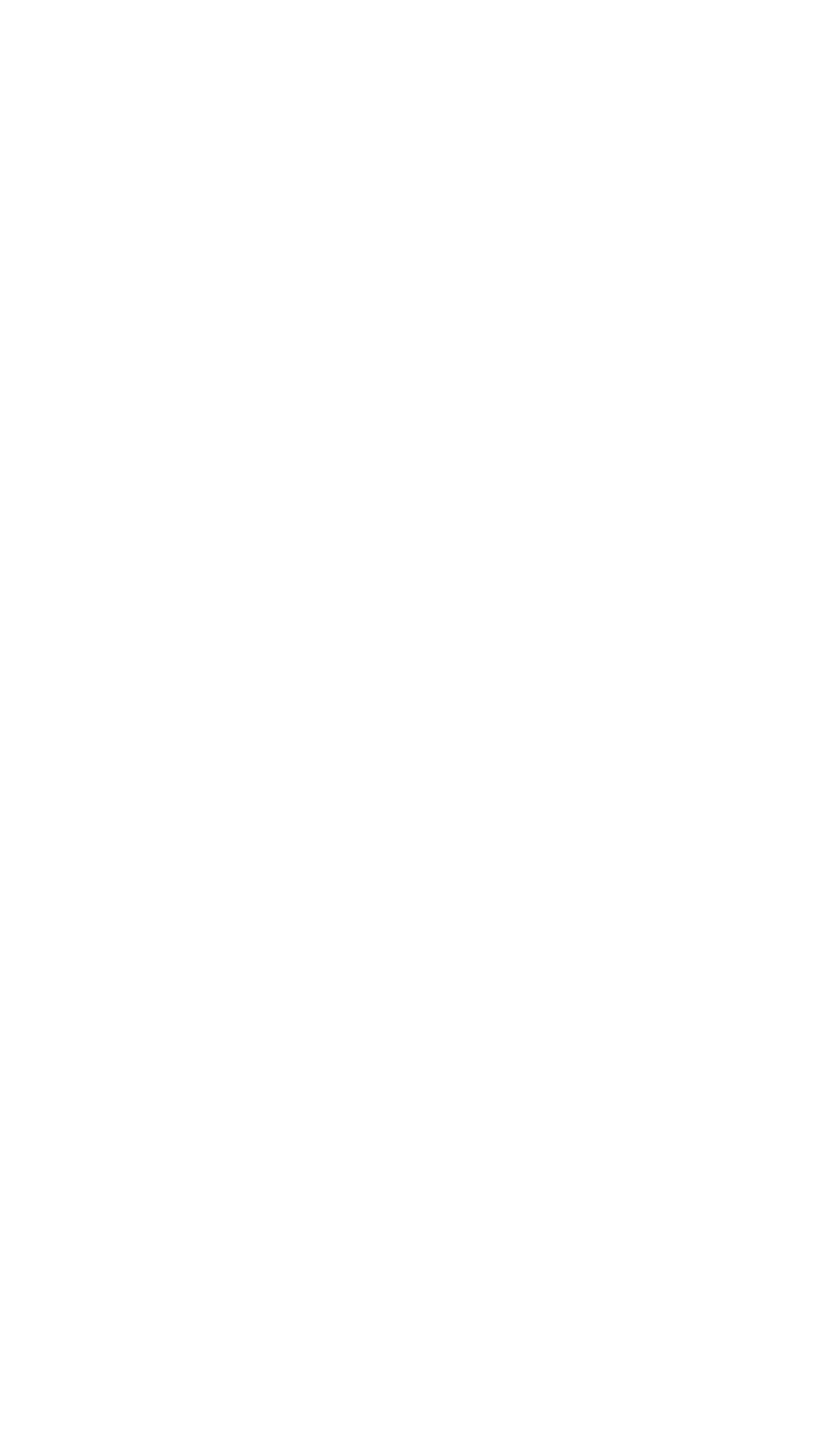
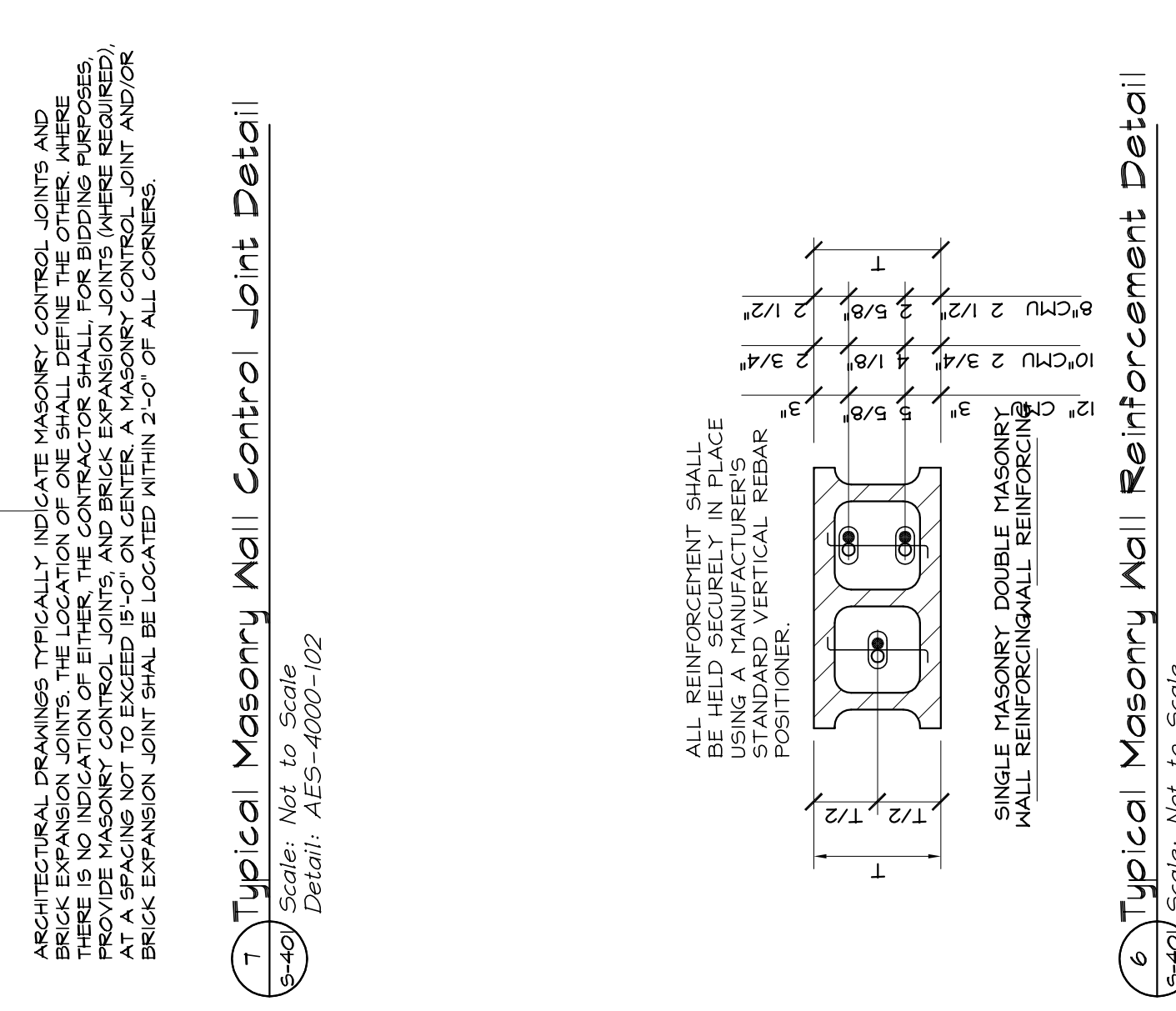
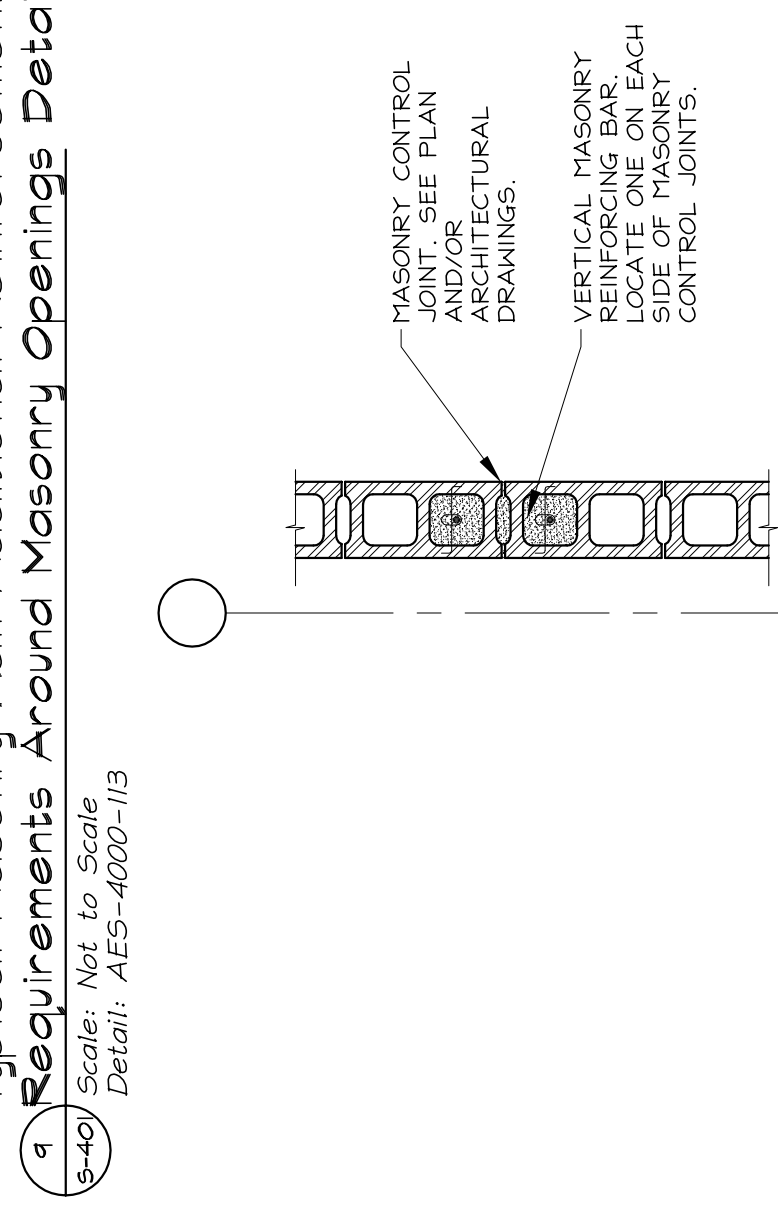
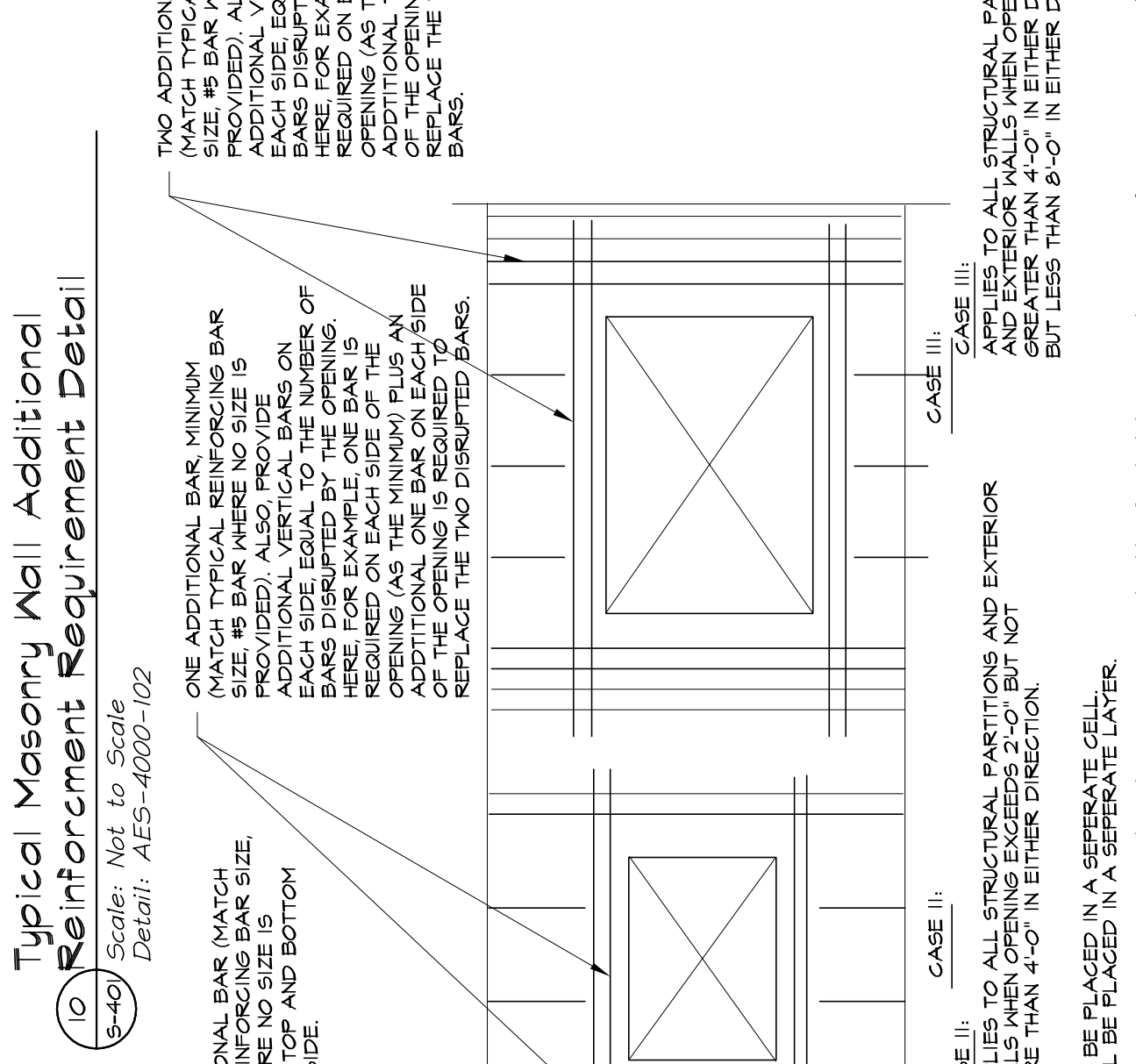
drawn NY
 checked NY
 approved NY

ISSUED FOR DATE
 90% REVIEW 02/20/06
 FINAL REVIEW 04/25/06
 BIDS AND PERIT 04/28/06
 BULLETIN # 10/30/06
 BULLETIN #R 11/13/06

sheet
S-401



NOTES:
 UNLESS OTHERWISE NOTED OR SPECIFIED AT CORNERS AND INTERSECTIONS OF CONCRETE MASONRY WALL WITH OTHER CONCRETE MASONRY WALL, THE ALTERNATE UNITS HAVING A BEARING OF NOT LESS THAN FOUR INCHES ON THE JOINT BELOW.
 UNLESS OTHERWISE NOTED OR SPECIFIED, PROVIDE BARS FROM CONCRETE BEAMS OR PARTS BELOW MASONRY WALL BASE SIZE AND SPACING AS VERTICAL BARS AT LEVEL BELOW LAP FORTY-EIGHT BAR DIAMETERS MINIMUM.



MASONRY OPENING	4 INCH MALL	6 INCH MALL	8 INCH MALL	12 INCH MALL
UP TO 4'-0"	L3 1/2x3 1/2x1/4	MT 4x9	(2)L3 1/2x3 1/2x1/4	(3)L3 1/2x3 1/2x1/4
4'-0" TO 6'-0"	L3 1/2x3 1/2x1/4	MT 4x9	(2)L3 1/2x3 1/2x1/4	(3)L3 1/2x3 1/2x1/4 (LH)
6'-0" TO 8'-0"	L5x3 1/2x5/16	MT 7x11	(2)L5x3 1/2x5/16	(3)L5x3 1/2x5/16
8'-0" TO 10'-0"	L6x3 1/2x3/8	MT 8x13	(2)L6x3 1/2x3/8	(3)L6x3 1/2x3/8
10'-0" TO 12'-0"	---	---	---	---

