

Lindhout Associates
architects aia pc
10465 cition drive, brighton, michigan 48116-9510
www.lindhout.com (810)227-5668 fax:(810)227-5855

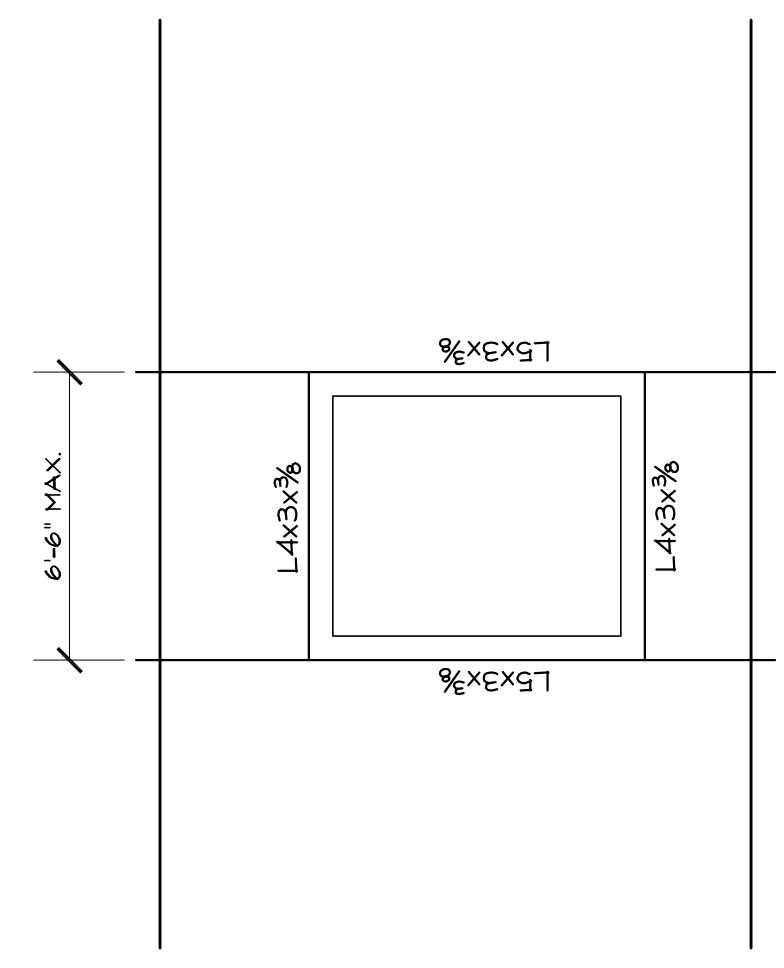
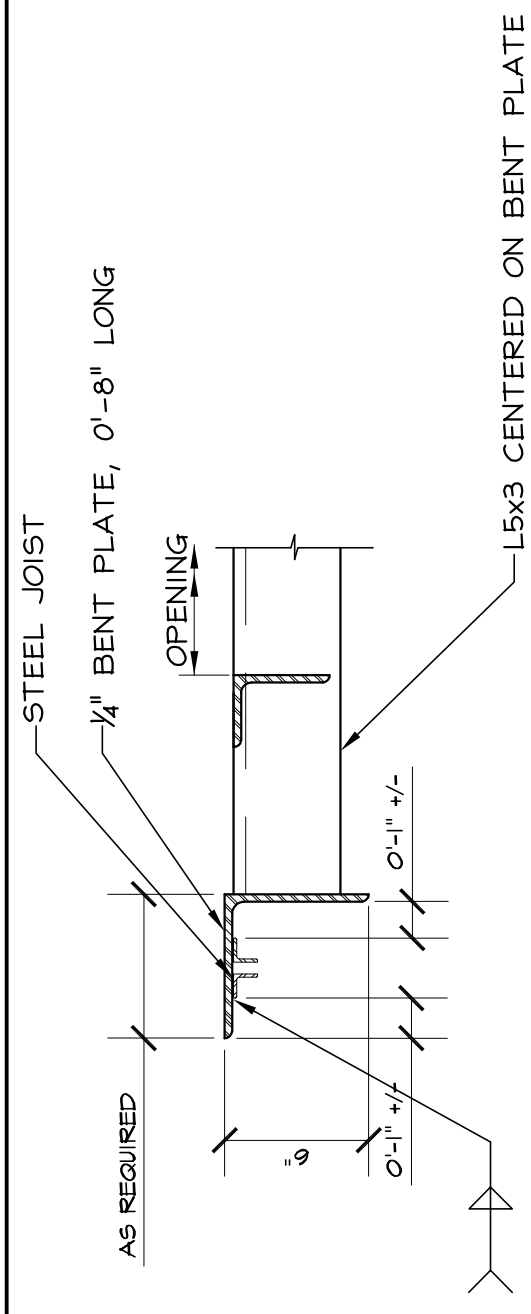
AE STRUCTURES
Architectural Engineering
Structural Engineers, PLLC
1118 Joshua Drive
www.aestructures.com
Troy, Michigan 48068-4507
Telephone: 248.828.7264
Facsimile: 248.828.7265

dr:	MV	08.11.2006
ck'd:	MV	08.11.2006
app'd:	MV	01.31.2006
date		

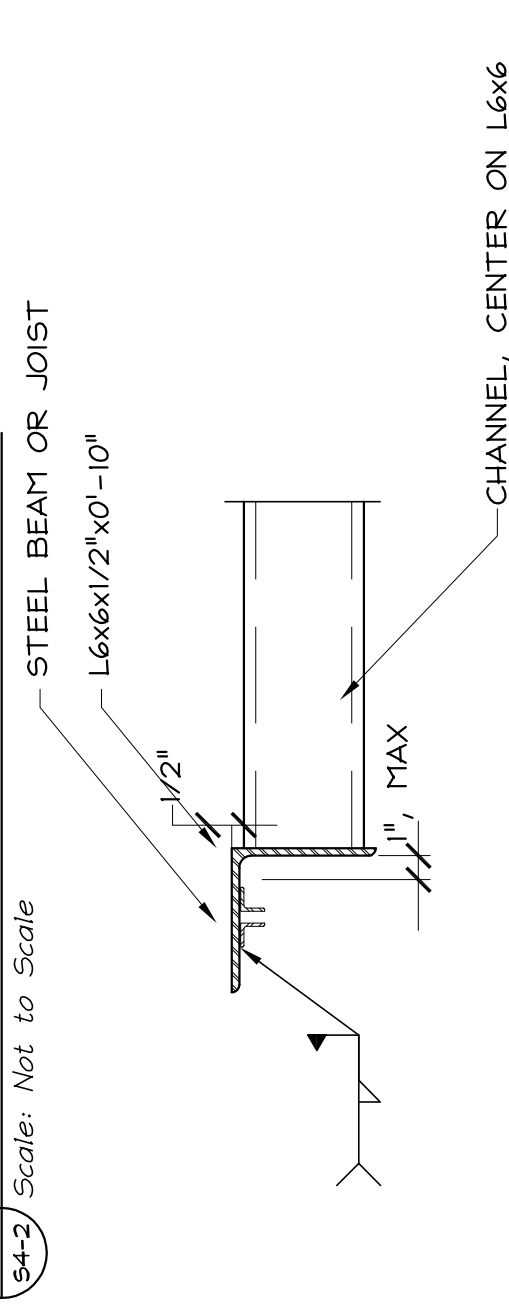
BIDDING / PERMITS
COMMITTEE REVIEW
SECOND REVIEW
ISSUED FOR

TYPICAL DETAILS
NEW BUILDING ADDITION FOR:
HOLY TRINITY STUDENT PARISH
515 WEST FOREST ST., PPSILANT, MICHIGAN

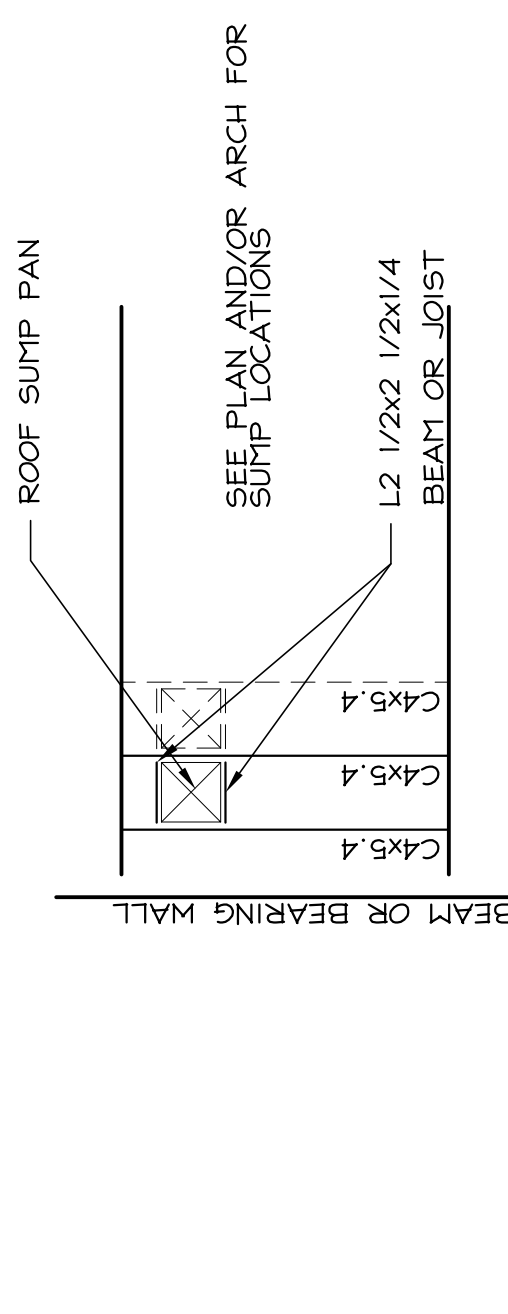
0541
54-2



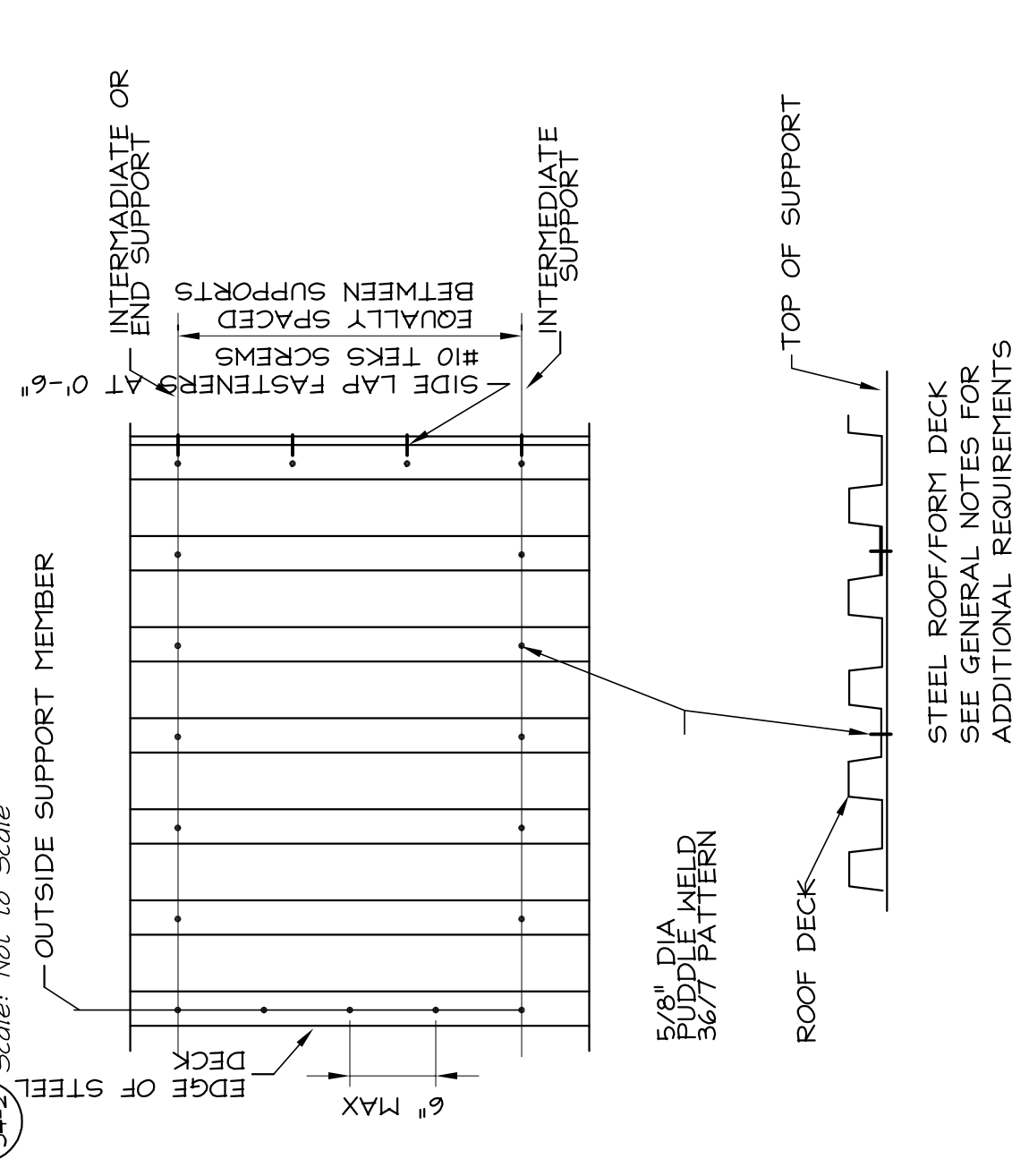
1 Typical Roof Opening Detail
Scale: Not to Scale
Detail: AES-4000-102



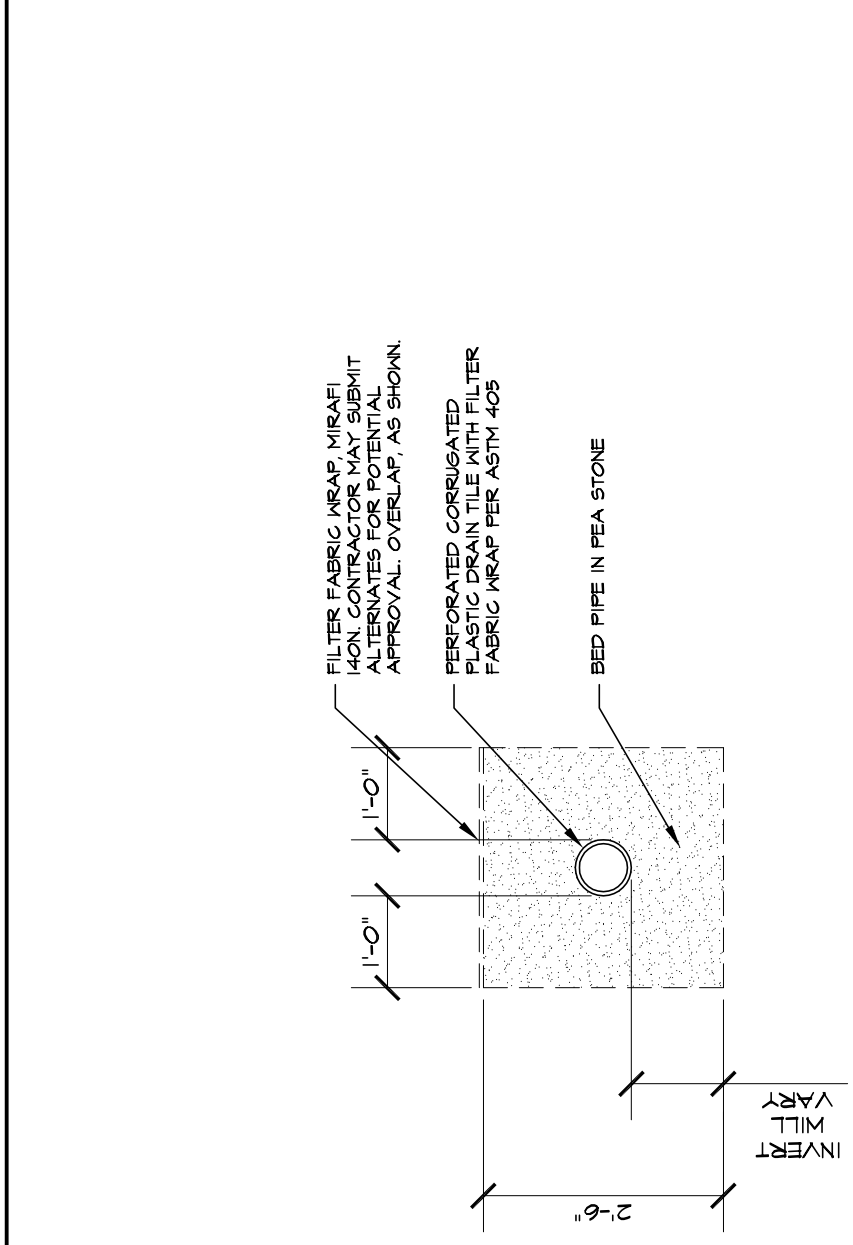
2 Typical Roof Opening Detail
Scale: Not to Scale
Detail: AES-4000-103



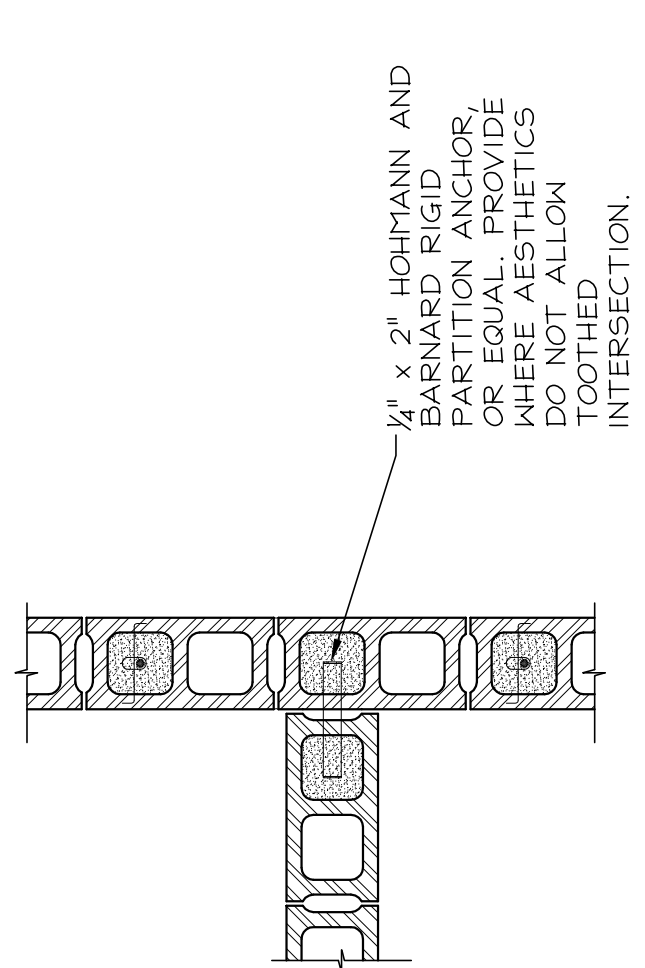
3 Typical Roof Sump Detail
Scale: Not to Scale
Detail: AES-4000-104



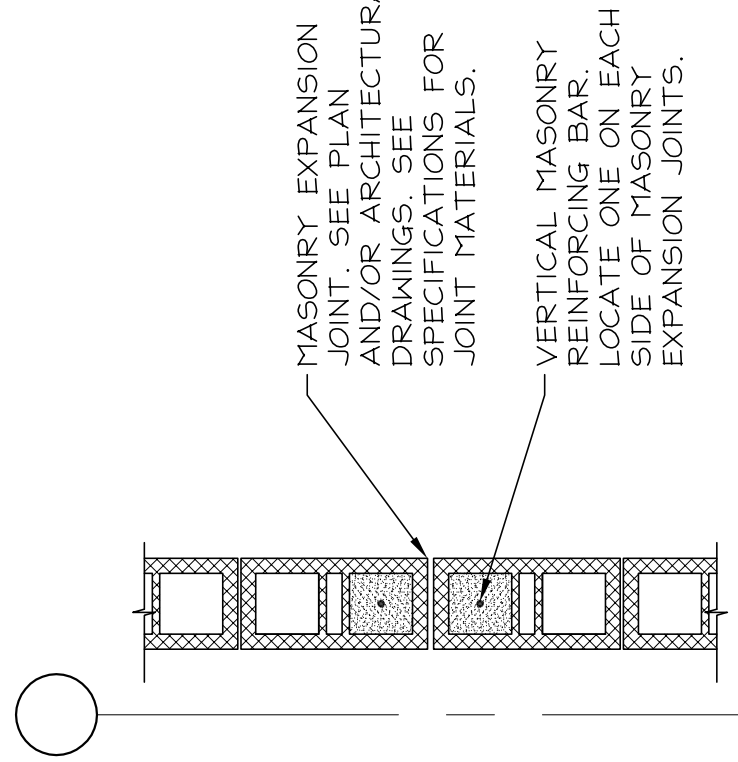
4 Typical Roof Sump Detail
Scale: Not to Scale
Detail: AES-4000-105



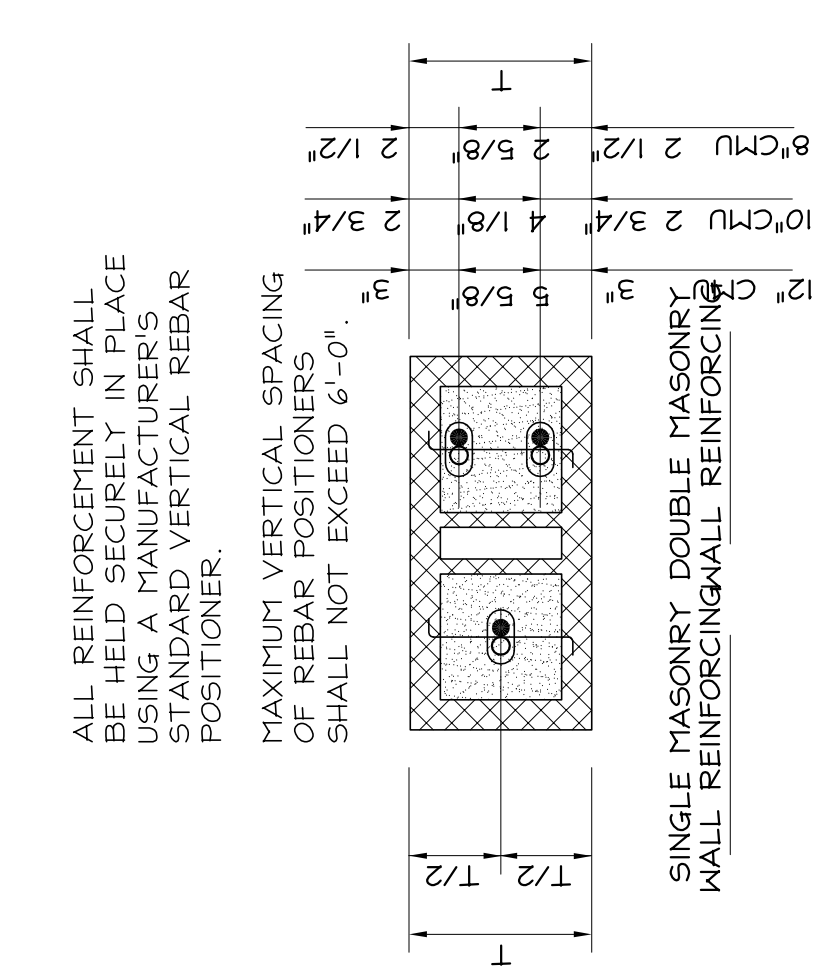
5 Typical Foundation Drain Detail
Scale: Not to Scale
Detail: AES-4000-106



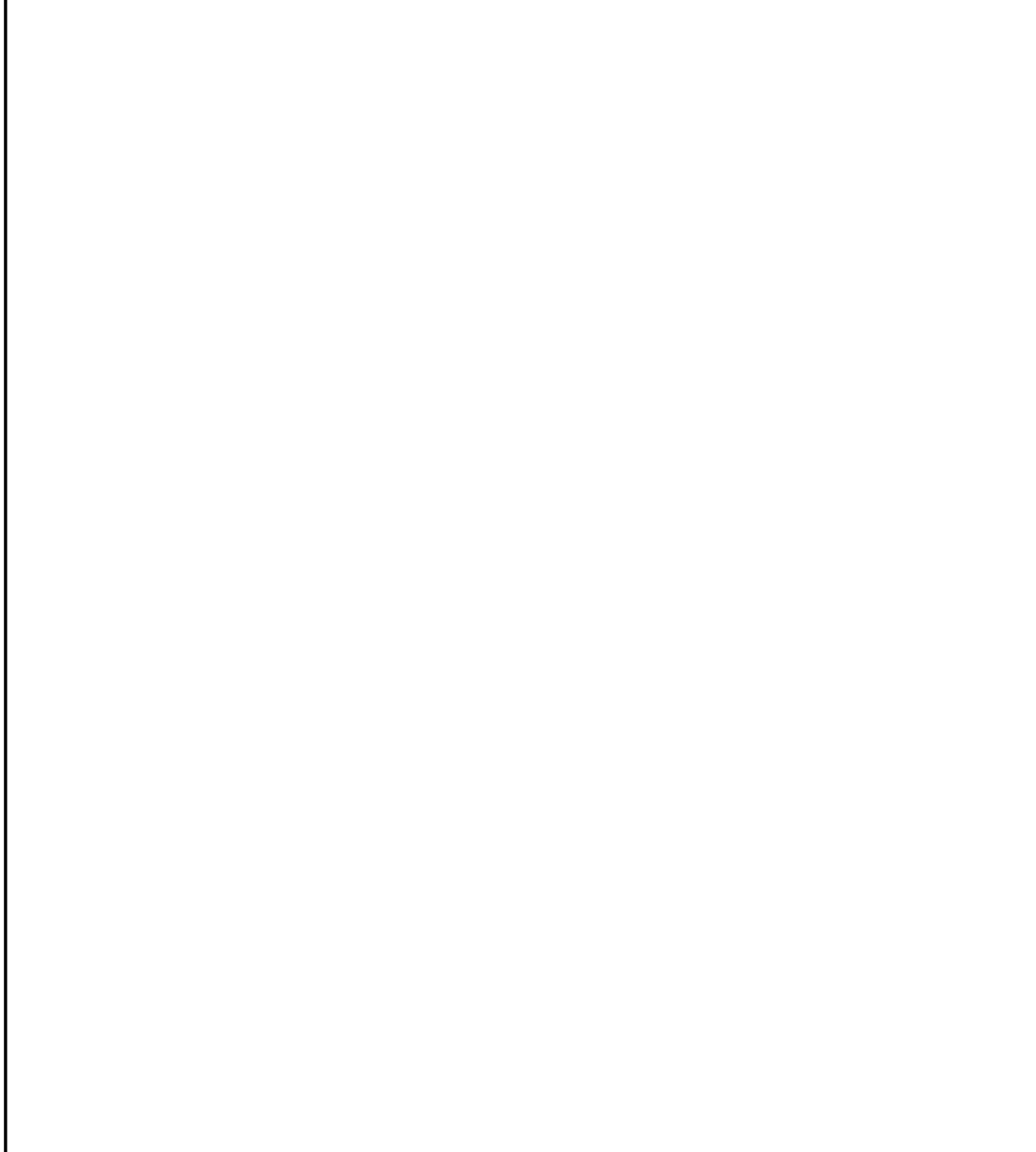
6 Typical Special Masonry Wall Intersection Detail
Scale: Not to Scale
Detail: AES-4000-103-ALT



7 Typical Masonry Wall Control Joint Detail
Scale: Not to Scale
Detail: AES-4000-102



8 Typical Masonry Wall Reinforcement Detail
Scale: Not to Scale
Detail: AES-4000-101



9 Typical Steel Deck Attachment Detail
Scale: Not to Scale
Detail: AES-4000-107



10 Joist Reinforcement at Off Panel Point Loads
Scale: Not to Scale
Detail: AES-4000-108